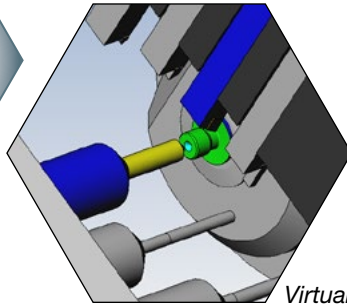


The most powerful *CAM software* ever.



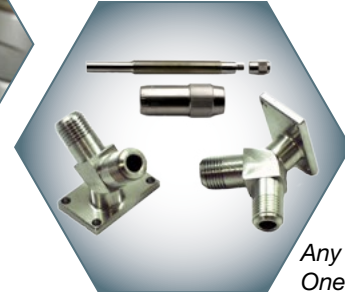
5-axis
Programming



Virtual Error Checking



Optimized G-code



Any Machine,
One Interface

ESPRIT for Swiss Machining

Quickly gain confidence programming your Swiss-style machine tools with ESPRIT.

- Program Swiss machines quickly
- Generate NC code correctly the first time
- Quote accurately and reliably
- Verify programs to minimize crashes
- Generate setup sheets and program info quickly

All from one system interface.

Use the full capability of your machine

A wide variety of machine tool configurations are supported including:

- Citizen-Miyano
- Maier
- Star
- Hanwha
- Tsugami
- Tornos
- DMG
- KSI and more

Program Quickly

Generate accurate NC programs quickly from 2D prints or solid models. ESPRIT is faster than programming by hand, more accurate, and will allow your company to grow into programming more complex jobs. With the increased efficiency you can also accept smaller runs for these machines.

ESPRIT for Swiss delivers production quality G-code programs for Swiss turning that are highly optimized to minimize cycle times, reduce remnant waste, and preserve tool wear while maximizing part quality.

- Optimize cycle times using the synchronization list
- Fully integrated 3D and 5-axis milling
- B axis support (angled tool holders)
- Supports axis synchronization, superimposition and composite control

- Program simultaneous operations without fear of collisions
- Re-chucking, broaching, thread whirling, pinch turning/milling

Quote New Work Accurately

In seconds, ESPRIT will convert your program file to a custom formatted time study report you can use to accurately quote the job. You can also present this visual, easy-to-read information as a personalized report to the customer.

- Part Information
- Company information and logo
- Operation Details
- Tool Details
- Machine Type

Verify Programs with Confidence

ESPRIT's virtual programming and full machine simulation/verification allow you to program all milling/turning operations and verify them before putting them on the machine. This identifies problems up front while the machine is still running and making money. View your parts as they would be machined on the lathe, all in one window with one interface!

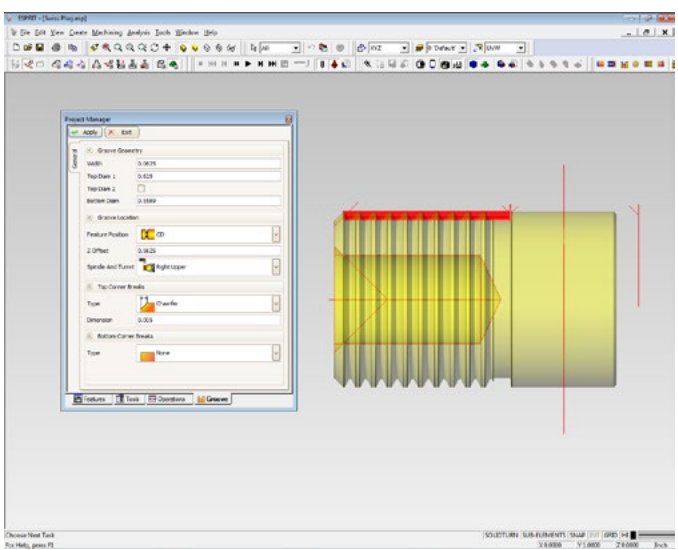
Why ESPRIT for Swiss?

- The most stable and accurate post processors in the industry
- The most tool control of any Swiss programming software in the industry
- The most accurate machine simulation of any Swiss programming software
- Go beyond Swiss with ESPRIT's integrated milling, turning and EDM in the same interface

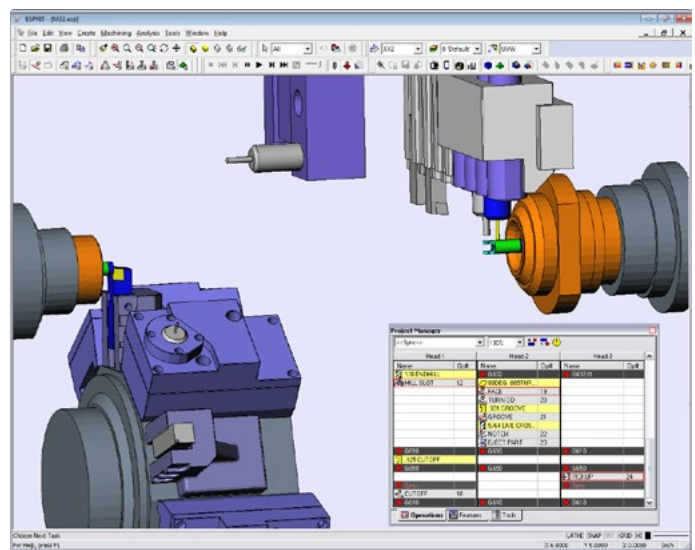
Productivity matters....choose ESPRIT.

The most powerful *CAM software* ever.

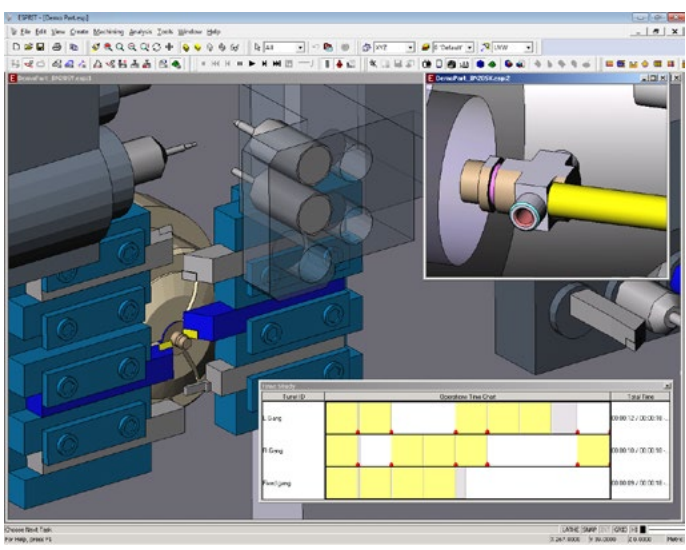
ESPRIT Swiss CAM



Machine Optimization



Full Machine Simulation



Customized Time Studies

Turning Report - Swiss Plug

Date: 1/19/2012 9:17 AM

Part Name: Swiss Plug

NC Program: 1000.0000
 Name: 8018
 Length: 6.0000(12.0000)
 Overall Cycle Time: 00:00:48
 Material: S15
 Machine: 5axis

| ORDER | OPERATION (OP) | SPEED (RPM) | FEED (IPM) | NC COMP TIME | CYCLE TIME | Stock |
|-------|----------------------|-------------|------------|--------------|------------|-------|
| 1 | Face(OP 1) | 1,000 | 0.0010 | 00:00:05 | | |
| 2 | Spindle(OP 2) | 1,000 | 0.0010 | 00:00:05 | | |
| 3 | Drill(OP 3) | 1,000 | 0.0010 | 00:00:14 | | |
| 4 | Drill(OP 4) | 1,000 | 0.0010 | 00:00:12 | | |
| 5 | 5/8 Thread OD (CP 5) | 1,000 | 0.0010 | 00:00:03 | | |
| 13 | CutOff(OP 13) | 1,000 | 0.0010 | 00:00:05 | | |



DP Technology Corp.
 1150 Avenida Acaso
 Camarillo, CA
 93012 USA
 Tel: + 1 800 627 8479
 Outside the US: + 1 805 388 6000
 Email: esprit@dptechnology.com

Copyright © 2013 DP Technology Corp. All rights reserved.
 ESPRIT is a registered trademark of DP Technology Corp.